



Play The Best®

TABLE TENNIS TABLE

MODEL NOS.

**T8621**

**T8621B**

## OWNER'S MANUAL

1. **Read this manual carefully before starting assembly.** Read each step completely before beginning each step.
2. **Some smaller parts may be shipped inside larger parts. Check inside all parts and cartons before assembling or ordering parts.**
3. **To make assembly easier, use the Hardware Identifier on page 9 to identify and sort all fasteners. Check all cartons for kits. All hardware may not be located in one kit.**
4. **Do not tighten hardware until instructed to do so.** If hardware is tightened too soon, mounting holes may not align and parts may not easily fit together. Leave locknuts slightly loose until you are instructed to tighten them.
5. **Tools required for assembly:** Phillips Screwdriver, Two 7/16 Wrenches, One 3/8 Wrench (an adjustable wrench may be substituted for the wrenches).
6. **Do not use power tools to drive screws into wood tops.** Hand tighten screws only. Tighten screws snug, but do not overtighten causing screws to strip.
7. **Save this instruction and your proof of purchase (receipt) in the event that the manufacturer has to be contacted for replacement parts.**

### Please Do Not Return This Product To The Store!

Contact Escalade® Sports customer service department at:

Phone: 1-866-873-3528 Toll – Free !

Fax: 1-866-873-3533 Toll – Free !

E-mail: [tabletennis@escaladesports.com](mailto:tabletennis@escaladesports.com)

Mailing Address (correspondence only):

Escalade Sports

PO Box 889

Evansville, IN 47706

Please visit our World Wide Web site at: [www.escaladesports.com](http://www.escaladesports.com)

ON-LINE TROUBLE SHOOTING

TECHNICAL ASSISTANCE

ON-LINE PARTS REQUESTS

FREQUENTLY ASKED QUESTIONS

ADDITIONAL ESCALADE® SPORTS PRODUCT INFORMATION



2L-4132-00

Escalade® Sports products may be manufactured and/or licensed under the following patents.  
6120397, 5816957, 5769744, 5119741, 4911085, 4717157, D460140, D420563

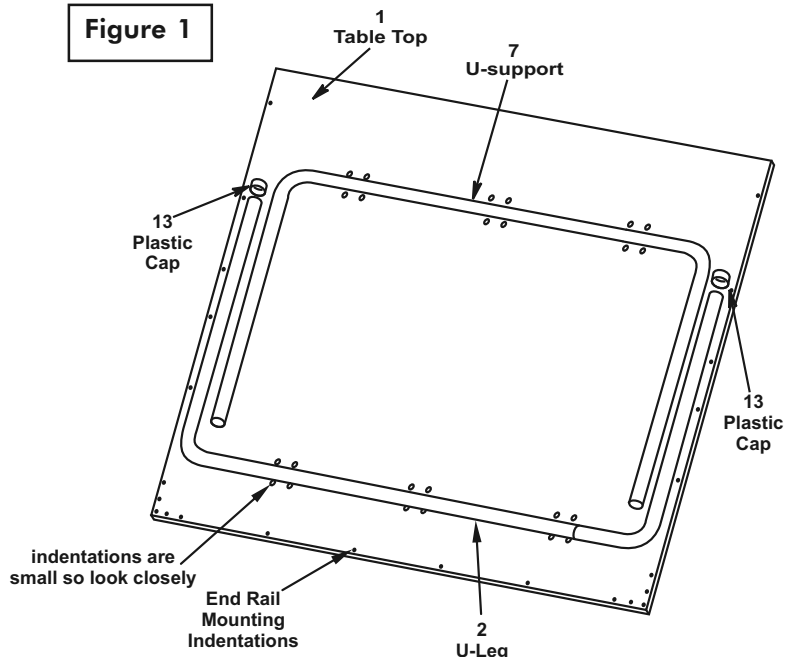
Additional patents may be pending. One or more of the listed patents and/or pending patents may cover specific product.

©2012 Escalade® Sports

For aid in identifying hardware, see hardware identifier on page 9.

Figure 1

1. Lay table top #1 painted side down, on a smooth, flat surface. Use the shipping container to protect the painted surface of the table top.
2. Align U-Support (#7) and U-Leg (#2) on Table Top as shown in Figure 1. **Note: "U" Leg is Larger and wider than U-Support. The U-Leg should be installed on the end of the table half with the end rail mounting indentations..**
3. Put plastic caps #13 on the end of U-leg #2.



**CAUTION:**

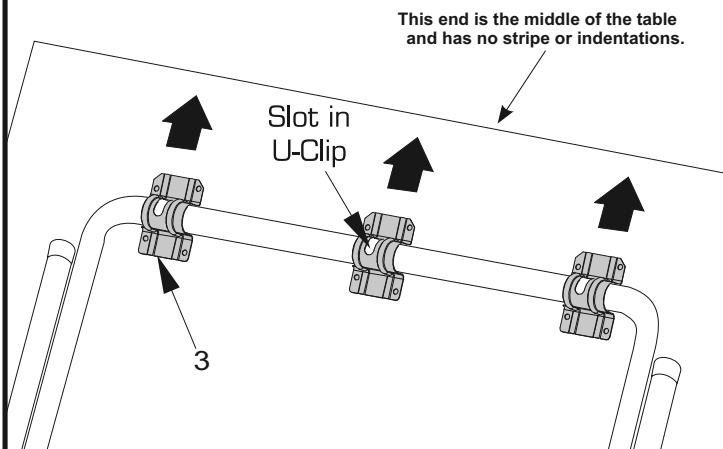
WHEN ASSEMBLING TABLE, IT IS EXTREMELY IMPORTANT THAT THE U-CLIPS (#3) BE TURNED AS SHOWN HERE. IF U-CLIPS ARE TURNED INCORRECTLY, YOU WILL DO IRREPARABLE DAMAGE TO YOUR TABLE WHEN YOU ATTEMPT TO OPEN IT TO THE PLAYING POSITION.

If you want to see a video on how to position the U-Clips go to: <http://www.escaladesports.com/customer-service/videos.html>

4. Align the holes in the Large U-clips #3 with indentations in table top assembly and secure with twenty four screws #20 as shown. All four holes in each U-Clip must align with four indentations in top.

**IMPORTANT:**

Be sure that slot in the six U-clips #3 all face the same direction (toward the middle of the table with the U-support) as shown.



This end is the middle of the table and has no stripe or indentations.

All screws shown are (#20) sheet metal screws.

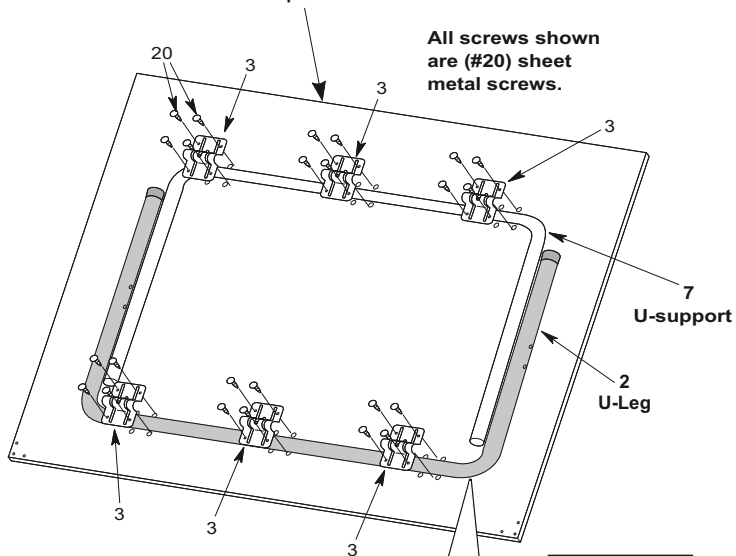


Figure 2

**IMPORTANT: U-Leg is wider than U-support. Make sure they are assembled exactly as shown. If not, there will be a large gap between table halves and table will not operate properly!**

All screws shown are (#20) sheet metal screws.

This end is the middle of the table

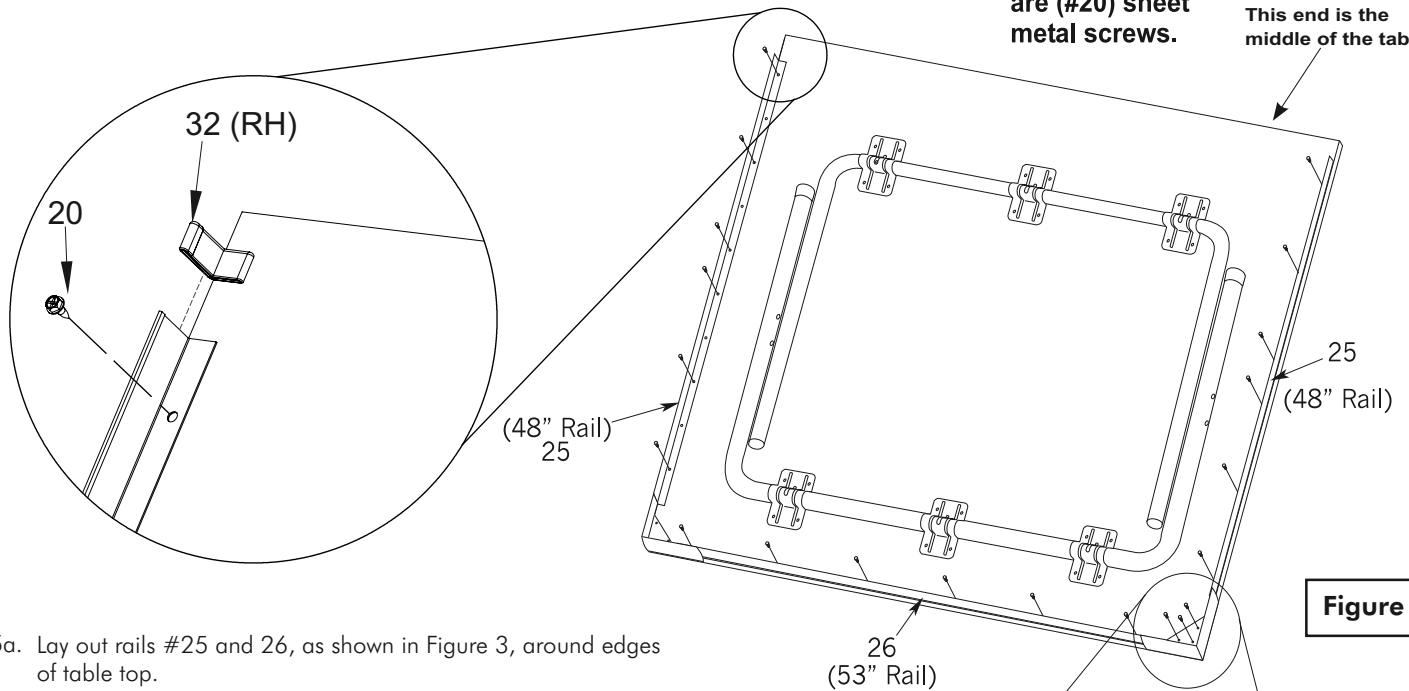


Figure 3

- 5a. Lay out rails #25 and 26, as shown in Figure 3, around edges of table top.
- 5b. Slide Left #33 and Right #32 Vinyl End Caps onto the ends of the Side Rails #25 as shown.
6. Line up holes in rails with indentations in top and secure using eighteen screws #20. See Figure 3.
7. Lay Corner Caps #22 on table as shown in Figure 4. If Corner Cap sticks above table top surface of table, flip over so shorter distance is against edge. Secure to bottom of table with three screws #21.

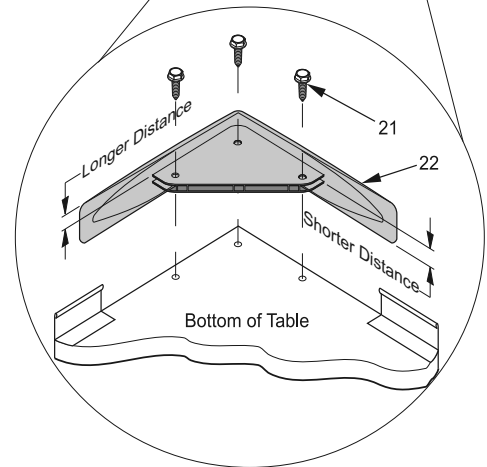


Figure 4

8. Rotate U-support #7 until you see the screw hole in the slot of U-clip #3. Slide U-support #7 side to side if necessary.

Note: Slide U-Support back and forth until you see the hole (if necessary).

Note: To aid in assembly you can use a cordless drill and Phillips bit for **Step 9 only**. **Wear safety glasses.**

9. Insert screw #19 through slot in U-clip #3 and into U-support #7. Thread it all the way into U-support #7 until it touches the back of the tube. There should be about 3/8 inch of screw #19 left sticking out. Repeat for U Leg #2 and U-clip #3.

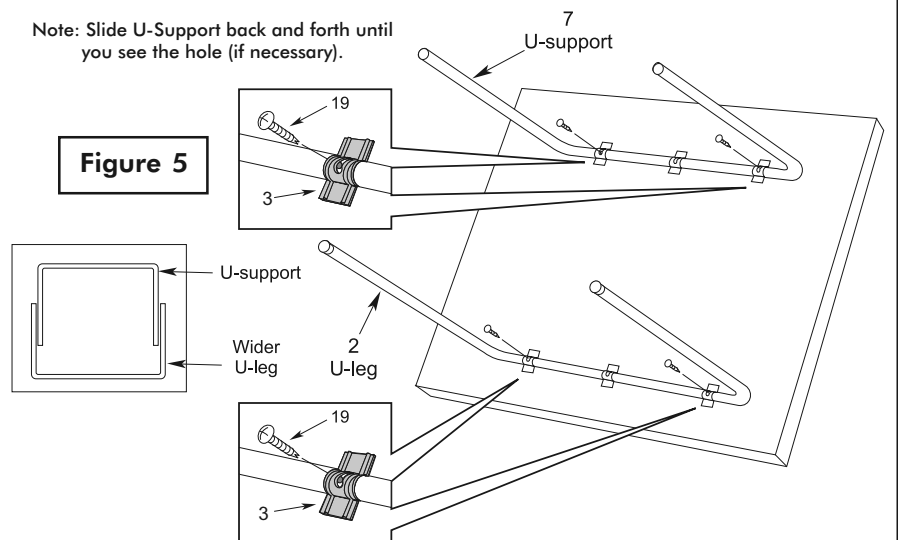


Figure 5

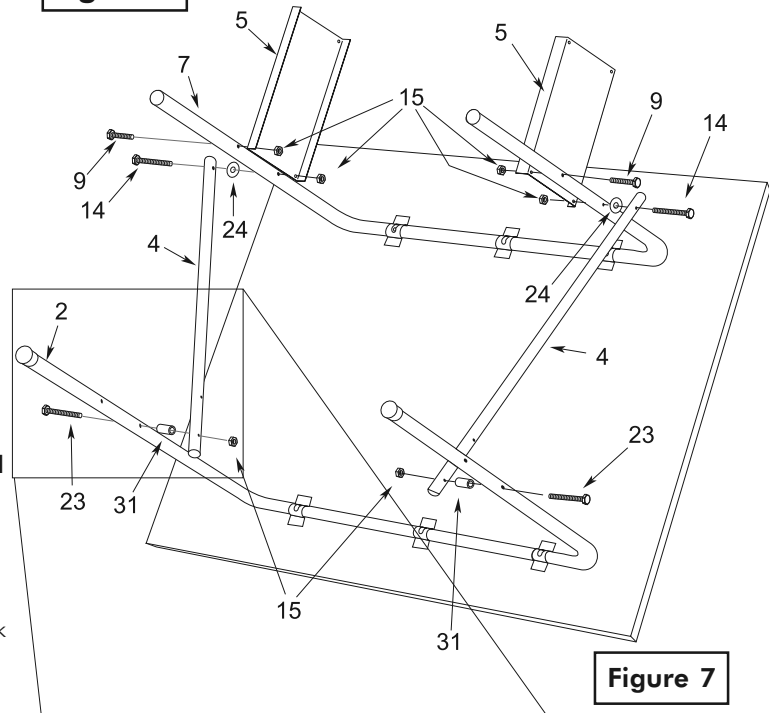
If you want to see a video on how to insert Screw (#19) go to: <http://www.escaladesports.com/customer-service/videos.html>

10. Attach end of linkages #4 with two holes to **INSIDE** of U-leg #2 as shown in Figure 6. Secure through end hole with screws #23, locknuts #15 and plastic spacers #31. Tubes must pivot freely.
11. On one side of the table attach slotted end of safety strap #6 to **INSIDE** of U-Leg #2 using one bolt #29, one spacer #30, one washer #24, and one hex nut #15. Tighten hardware until snug but do not overtighten. Tubes must pivot freely. See Figure 7.
12. Attach other end of safety strap #6 to **OUTSIDE** of linkage #4 using one bolt #9, one washer #24, one spacer #30, and one hex nut #15.

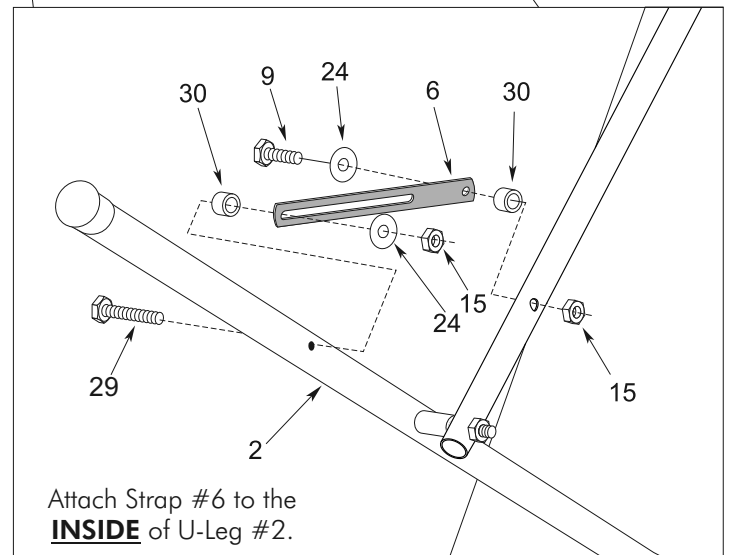
**Important! Do NOT put other safety strap #6 on this table half. It will be installed on other table half later.**

13. Attach other end of linkages #4 to **OUTSIDE** of U-support #7 with bolts #14 and plastic washers #24. Then slide name panel #5 onto the same bolts #14 on the **INSIDE** of U-support #7. Secure with lock nuts #15. Tighten hardware until snug but do not overtighten. Tubes must pivot freely
14. Attach bottom of name panel #5 to U-supports #7. Secure with hex bolts #9 and locknuts #15. Tighten nuts but be careful not to crush tubes. See Figure 6.
15. Gently tap caster sockets #12 into U-support #7 until flange on sockets touches the edge of the tube. **DO NOT HIT CASTER SOCKET DIRECTLY WITH A HAMMER! SET A PIECE OF WOOD ON CASTER SOCKET AND HIT PIECE OF WOOD TO DRIVE CASTER SOCKET INTO U-SUPPORT.**
16. Insert casters #11 into caster sockets #12.

**Figure 6**



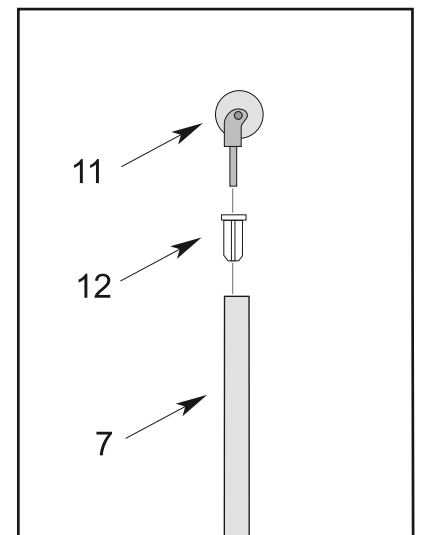
**Figure 7**



**⚠ CAUTION:  
AT LEAST TWO ADULTS ARE NEEDED  
TO MOVE TABLE HALF!**

17. Prepare an area for the assembly of the second table top half. If necessary, move the first table top half aside with the aid of a helper. Be sure to place it in a location where it won't be disturbed or damaged. If setting on its side, be sure to place the bottom edge no less than 12 inches away from the wall. Also be sure to place carpet or pieces of the shipping carton down to protect table top edges. If floor is not carpeted, brace table top half with a heavy object to keep it from sliding.

**Figure 8**



18. Repeat steps 1 through 12 on second table half.
19. Gently tap caster sockets #12 into U-support #7 on second table half until flange on sockets touches the edge of the tube. **DO NOT HIT CASTER SOCKETS TOO HARD WITH A HAMMER.** Casters could break if hit too hard.
20. Insert casters #11 into caster sockets #12 on second table half.
21. Attach linkages #4 to the OUTSIDE of U-support #7 on second table half. Use screws #14, plastic washers #24 and hex nuts #15.

**NOTE: Tighten locknuts #15 finger tight only. They will be removed when the two table top halves are connected.**



**CAUTION:**  
**AT LEAST TWO ADULTS ARE NEEDED TO COMPLETE THE REMAINDER OF THE ASSEMBLY!**

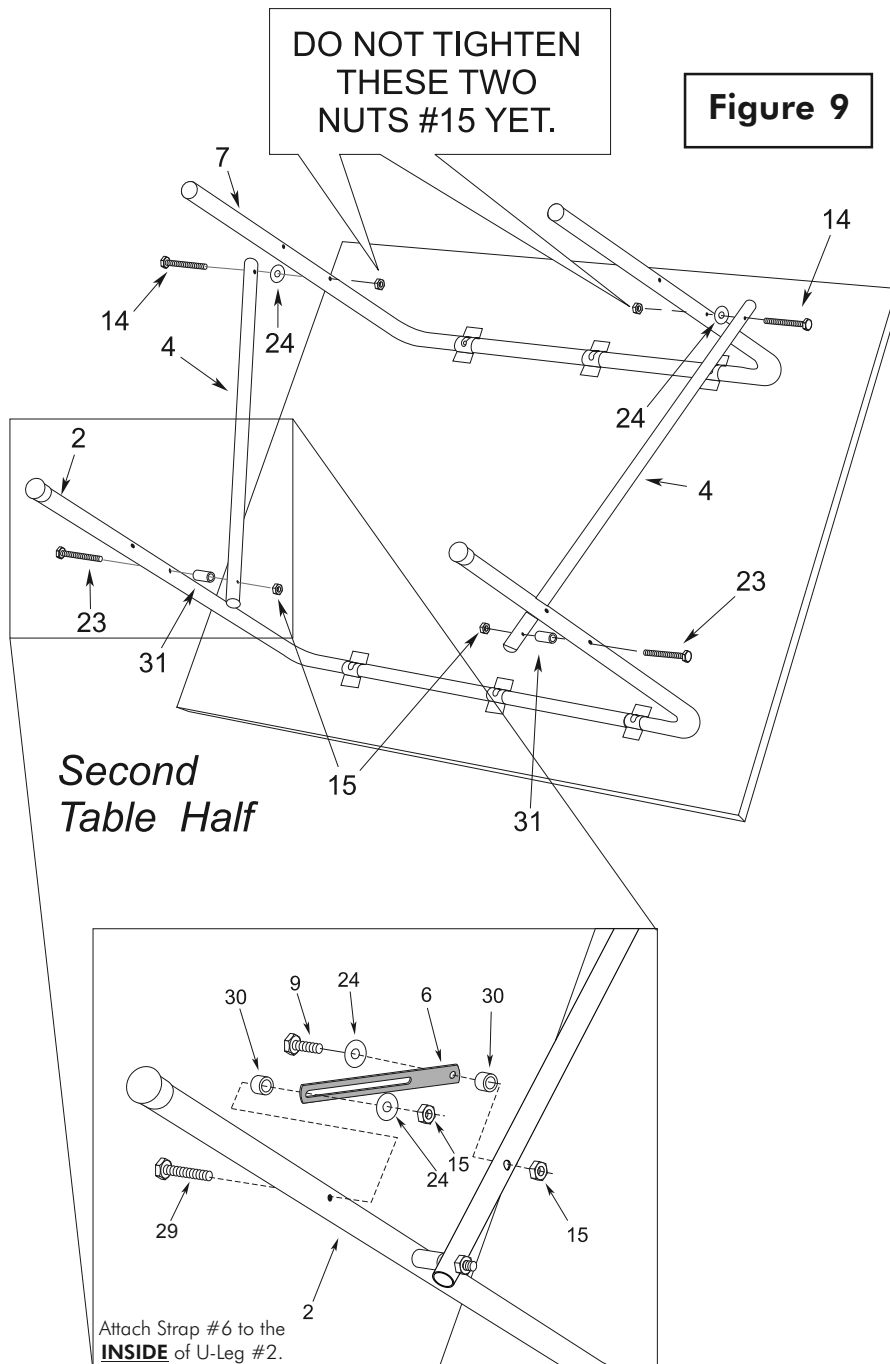
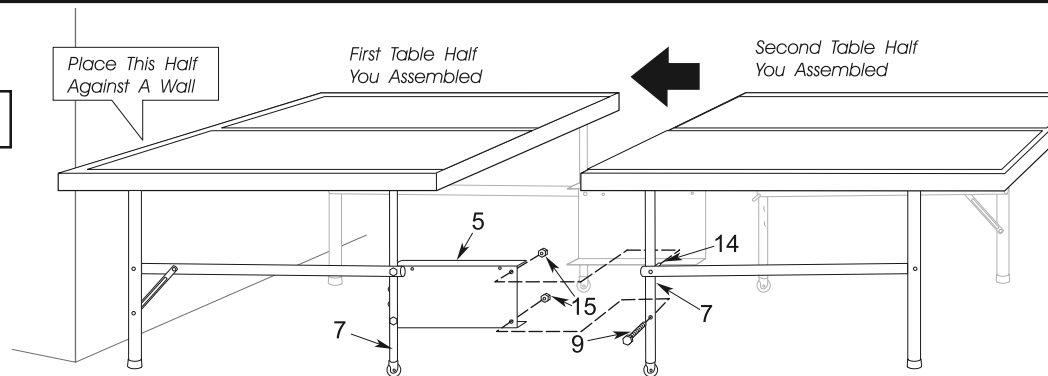


Figure 10



22. Make sure the legs on the first table top half (the half with the name panel #5) are open. With one person on each side of the table, lift and set table half on its legs. Place table against a wall as shown above to help stabilize table top half while second half is being attached. Be sure there is enough room to connect second half.



**CAUTION:**

**BE SURE THE FIRST TABLE HALF YOU ASSEMBLED (WITH NAME PANELS #5 ATTACHED) IS STABLE AND AGAINST A WALL. DO NOT LEAVE TABLE HALF STANDING UNATTENDED.**

23. Place a hex bolt #9 and a locknuts #15 on floor next to caster wheels (on both sides of the table half) so they will be handy for the next step.

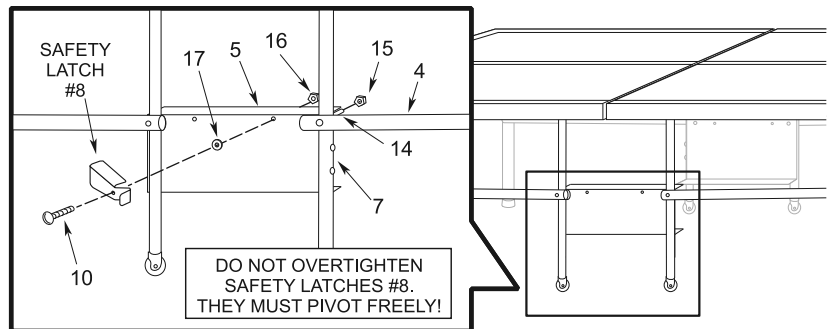
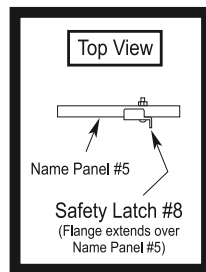


**CAUTION:**

**UNTIL THE TABLE HALVES ARE CONNECTED THEY WILL NOT STAND ON THEIR OWN. IT IS RECOMMENDED TO HAVE THREE PEOPLE TO CONNECT TABLE HALVES. TWO TO STABILIZE TABLE AND ONE TO BOLT TABLE TOGETHER.**

24. With a person on both sides of the second table half, slide the second table half against the first table half. Remove locknuts #15 from screws #14 on second table half where U-support #7 and linkages #4 join. Align holes in name panels #5 (on first table half) with holes in U-supports (on second table half). Secure second table half to top hole in name panel #5 using hex bolt #14 installed earlier and locknuts just removed. Secure second table half to bottom hole in name panel #5 with the two hex bolts #9 and locknuts #15 you placed on the floor earlier. Tighten locknuts snug but do not overtighten. These joints must pivot. At this point go back and tighten hex bolts #9.

Figure 11



**CAUTION:**

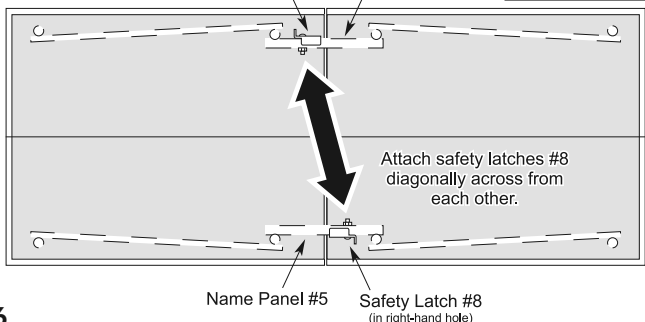
**INSTALL SAFETY LATCHES #8 AS SHOWN ABOVE FOR PROPER USE OF TABLE! DO NOT SKIP THIS STEP! DO NOT OPERATE TABLE UNTIL SAFETY LATCHES ARE INSTALLED AND ASSEMBLY IS COMPLETE!**

25. Choose a name panel #5 on either side of the table and install one safety latch #8 into the right-hand hole on that name panel as shown in Figures 11 & 12. Use one screw #10 one washer #17 and one hex nut #16. **NOTE: Flange on safety latch must extend over top of name panel as shown in Figure 11. Safety latch must pivot freely.**

Top View Of Table

Safety Latch #8 (in right-hand hole) Name Panel #5

Figure 12



26. Go to the other side of the table and install the second safety latch into the right-hand hole on the other name panel #5. **NOTE: Safety latches must be attached diagonally across from each other.** (See Figure 12)

# OPENING AND CLOSING INSTRUCTIONS

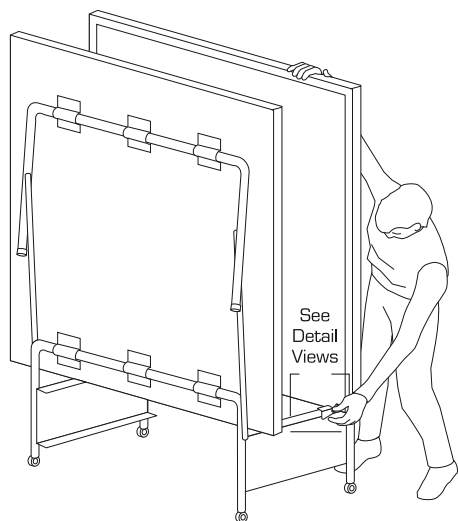


## CAUTION:

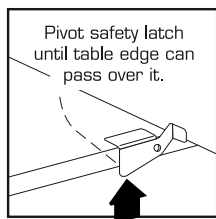
READ OPERATING INSTRUCTIONS CAREFULLY BEFORE OPERATING TABLE! DO NOT ALLOW CHILDREN TO OPEN TABLE! DO NOT CLIMB, STAND OR JUMP ON TABLE! SERIOUS OR FATAL INJURY MAY RESULT! THIS IS NOT A TOY! TABLE IS TO BE OPENED OR CLOSED BY ADULTS ONLY! FAILURE TO COMPLY WITH OPENING AND CLOSING INSTRUCTIONS COULD RESULT IN PERSONAL INJURY OR PROPERTY DAMAGE.

### TO OPEN:

1. Pull both legs away from table slightly.
2. Stand behind the table near the safety latch.
3. Hold table half with one hand and pivot safety latch enough to allow the edge of the table half to pass over it.
4. While keeping an eye on the safety latch, pivot table half until it moves past the safety latch. Once edge of table has passed over safety latch, stop pivoting table half.
5. With both hands on the table half, center yourself along the table half and lower the table half to the floor.
6. Repeat for the other table half.



See Detail Views



Pivot safety latch until table edge can pass over it.

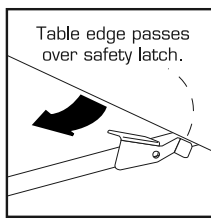
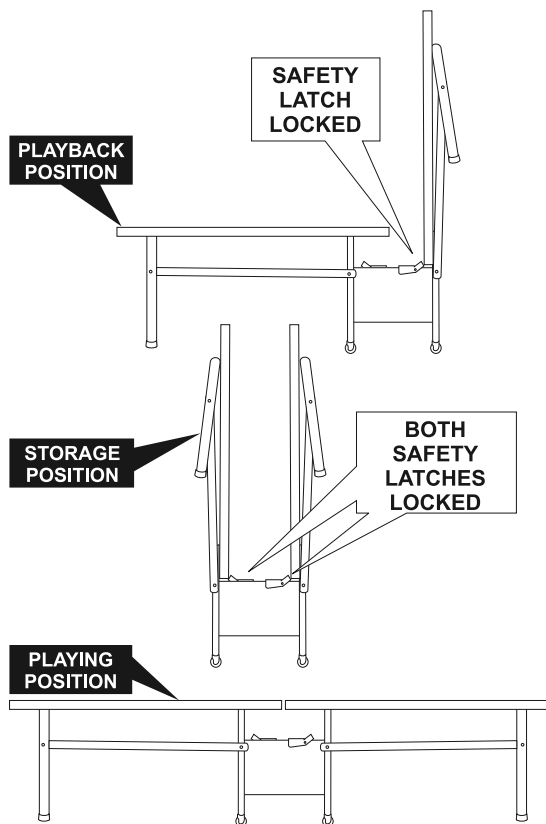


Table edge passes over safety latch.

### TO CLOSE:

1. Lift table half upward and inward to vertical position.
2. Check to be sure that table half is locked in the safety latch.
3. Repeat for the other table half.



## CAUTION

THIS IS A GAME TABLE. DO NOT SIT, STAND, LEAN, WALK OR JUMP ON TABLE! FAILURE TO COMPLY WITH THIS CAUTION COULD RESULT IN PERSONAL INJURY AND/OR PROPERTY DAMAGE!

# CARE AND MAINTENANCE

You have purchased a quality product that will give you years of enjoyment. By following these simple maintenance steps, you will add to the life of your new table.

## THE TABLE TOP

The top (playing surface) of your table is made of particle board. Like all products made of wood, it can be affected by atmospheric changes in both temperature and humidity. This may cause a slight sag or distortion as the top expands or contracts. This is normal and should not cause concern as it does not detract from the play or utility value of the table. After assembly of the table, you can minimize the effects of temperature and humidity changes by storing the table in the folded up position in a dry area when table is not in use.

## STORAGE OF YOUR TABLE

This table must be stored indoors to prevent damage to the playing surface. Dampness and extreme temperature changes can cause the wood to warp, swell, crack or blister. When your table is not in use, it should be folded up in a dry area. Due to the nature of particle board, table top may bow. Damp and humid conditions will amplify this. This is normal and will not affect playability of table.

## CLEANING YOUR TABLE

To clean your table use a soft, damp (NOT WET) cloth only. To prevent damage to your table's playing surface, DO NOT USE ANY CHEMICALS, ABRASIVE OR CLEANING PRODUCTS on your table's playing surface.

## MAINTENANCE OF YOUR TABLE

Be sure to oil all moving parts of your table including the pivot points. This will insure the safety and ease of use of your table.



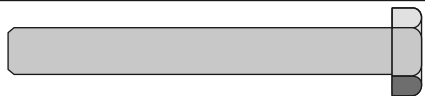
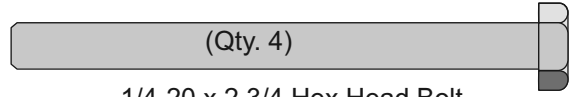
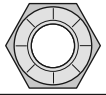
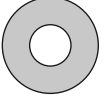
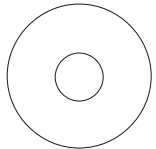
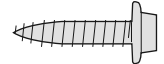


This table must be kept indoors to prevent damage to the playing surface. Dampness and extreme temperature changes which occur on patios or similar areas can cause wood to warp, swell, crack or blister.

## UNLEVEL FLOORS

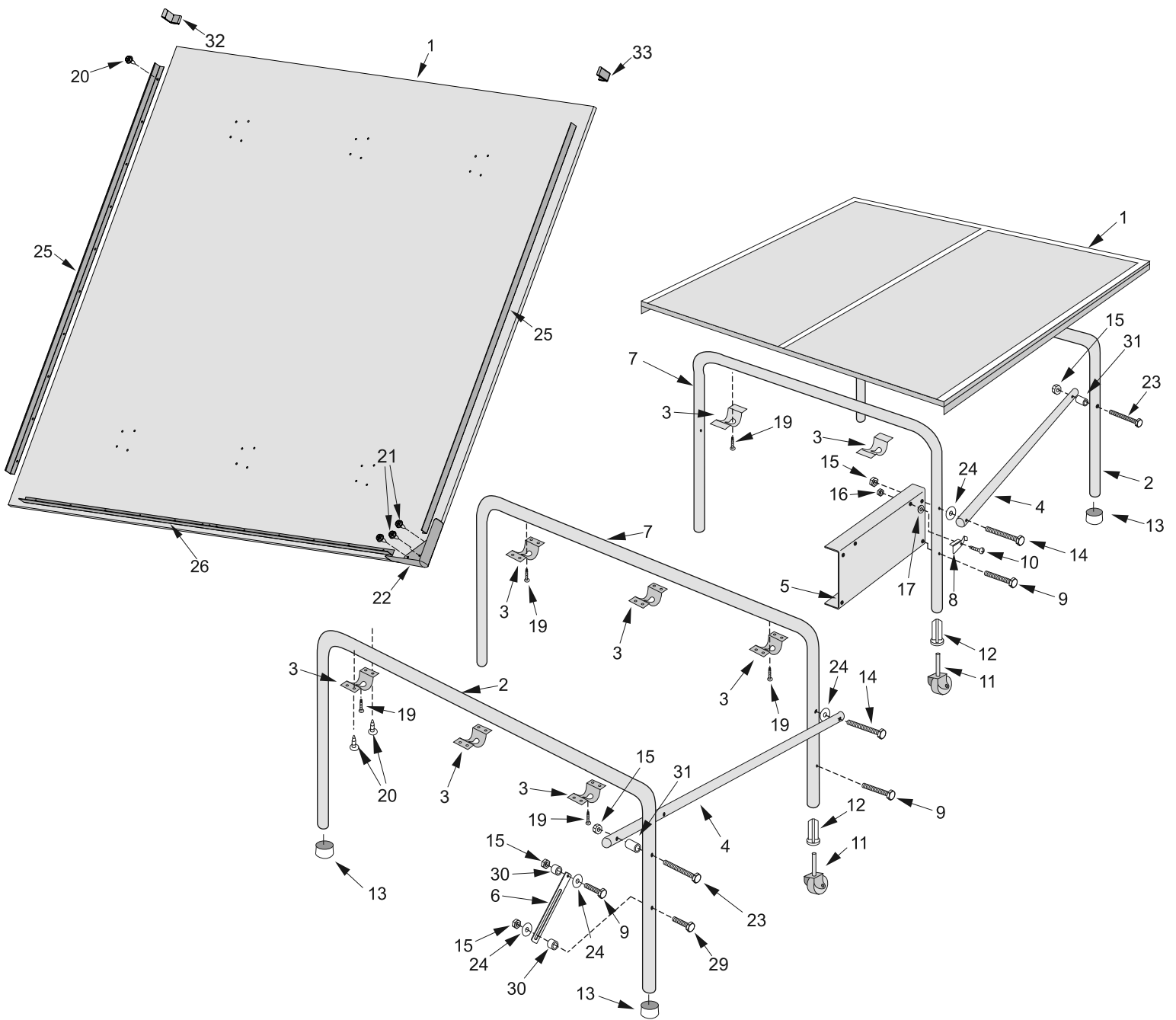
If table does not seem level, it is probably due to uneven or unlevel floors. Set the table in its PLAYING POSITION and move table several inches in different directions to find the best location for the table. If the floor is extremely unlevel, table may not play or operate properly. If table is high in the center, shim up under the outer U-legs.

# HARDWARE IDENTIFIER

KEY NO.

9	1/4-20 x 1-1/2 Hex Hd. Bolt (Qty. 6)				
10	#10-24 x 3/4 Rd. Hd. Screw (Qty. 2)			19	#8-32 x 1-1/4 S.M.S. (Qty. 8)
14	1/4-20 x 2 Hex Hd. Bolt (Qty. 4)			23	 (Qty. 4) 1/4-20 x 2 3/4 Hex Head Bolt
15	1/4-20 Zinc Locknut (Qty. 16)		16		
17	#10 Flat Washer (Qty. 2)		20	24	Plastic Washer (Qty. 8)
					
			21		#8 x 5/8 Sheet Metal Screw (Qty. 12)
					
30	5/16" Spacer (Qty. 4)		31	29	1/4-20 x 1 3/4" Hex Hd. Bolt Qty. 2
					





### PRODUCT PARTS LIST - T8621 & T8621B

Key #	T8621	T8621B	Description	Qty.	Key #	T8621	T8621B	Description	Qty.
1	4A-5467-02 (Green)	4A-5467-00 (Black)	Table	2	17	2N-0214-99	2N-0214-99	#10 Flatwasher	2
2	8S-6610-00	8S-6610-00	U-Leg	2	19	1B-4089-00	1B-4089-00	#8-32 x 1 1/4 Sheet Metal Screw	8
3	2S-6879-10	2S-6879-10	1" U-Clip	12	20	1B-6451-00	1B-6451-00	#8 x 7/16 Sheet Metal Screw	84
4	8S-6605-02	8S-6605-03	Linkage	4	21	1B-6449-00	1B-6449-00	#8 x 5/8 Hex/Phil HD SMS	12
5	2S-6780-02	2S-6780-00	Name Panel	2	22	3M-6494-00	3M-6494-00	Corner Cap	4
6	2S-6428-01	2S-6428-01	Safety Strap	2	23	1B-4135-00	1B-4135-00	1/4-20 X 2-3/4 Hex Head Bolt	4
7	8S-6755-00	8S-6755-00	U-Support	2	24	2B-6087-00	2B-6087-00	Plastic Washer	8
8	2S-6264-03	2S-6264-03	Safety Latch	2	25	2S-6384-10	2S-6384-10	3/4 Side Rail - Black	4
9	WB-1094-00	WB-1094-00	1/4-20 x 1 1/2 Hex Head Bolt	6	26	2S-6385-10	2S-6385-10	3/4 End Rail - Black	2
10	1B-4049-01	1B-4049-01	#10-24 x 3/4 Phil Round Hd. Scr	2	27	5A-6700-00	5A-6700-00	Net and Post Kit	1
11	2Q-6084-00	2Q-6084-00	Caster	4	28	2L-4132-00	2L-4132-00	Owner's Manual	1
12	3M-6115-00	3M-6115-00	Caster Socket	4	29	1B-6465-00	1B-6465-00	1/4-20 X 1-3/4 Hex Head Bolt	2
13	4C-0159-00	4C-0159-00	Leg Cap	4	30	7B-6257-00	7B-6257-00	5/16" Spacer	4
14	WB-1110-00	WB-1110-00	1/4-20 x 2 Hex Head Bolt	4	31	7B-6256-00	7B-6256-00	3/4" Spacer	4
15	WN-1008-99	WN-1008-99	1/4-20 Locknut	16	32	3M-4152-00	3M-4152-00	Vinyl End Cap RH	2
16	WB-1007-99	WB-1007-99	#10-24 Locknut	2	33	3M-4153-00	3M-4153-00	Vinyl End Cap LH	2