

OWNER'S MANUAL

MODEL NO.
T8288

WARRANTY

Actual product may differ slightly from that shown in illustrations.

READ ASSEMBLY &
OPERATING INSTRUCTIONS
AND ALL SAFETY
INFORMATION CAREFULLY!

FOLD AND ROLL PLAYBACK TABLE TENNIS TABLE

Patent No. 6,120,397

Thank you for buying our product. We try hard to ensure that our products are of high quality and free of problems, such as manufacturing defects or missing parts. However, if you have any problems with your new product, please **DO NOT RETURN IT TO THE STORE!**

DO NOT RETURN THIS PRODUCT TO THE STORE!

Call us at:

TOLL FREE 1-800-426-1421
(THIS IS A CONSUMER ONLY NUMBER)
Please have this Owner's Manual with you when you call.

Or write us at: CUSTOMER SERVICE DEPT., P.O. Box 889, Evansville, IN 47706
Fax Number: (812) 467-1399.

Please provide model number and/or part number (not just the key number) of the product and/or part when you call or write. These numbers can be found on the product, packaging, and/or in this Owner's Manual.

LIMITED 1 YEAR WARRANTY

Manufacturer warrants to the original retail purchaser, this product to be free from defects in material and workmanship for a period of one (1) year from the date of purchase.

Should this product become defective due to material or workmanship within the warranty period, contact our Customer Service Department for repair or replacement at our option.

This warranty is not transferable and does not cover normal wear and tear, bowing of the table or damage caused by improper handling, installation or use of this product. This warranty is also void if product is in any way abused, damaged, or modified from its original state, or if used for other than residential use.

This warranty gives you specific legal rights, and you may have other rights which vary from state to state.

CAUTION

THIS IS A GAME TABLE. DO NOT SIT, STAND, LEAN, WALK OR JUMP ON TABLE! FAILURE TO COMPLY WITH THIS CAUTION COULD RESULT IN PERSONAL INJURY AND/OR PROPERTY DAMAGE!

This table must be kept indoors to prevent damage to the playing surface. Dampness and extreme temperature changes which occur on patios or similar areas can cause wood to warp, swell, crack, or blister.

UNLEVEL FLOORS

If table does not seem level, it is probably because floor is not level. Move table several inches (set table in playing position) in different directions to find the best location for the table. If the floor is extremely unlevel, table may not play or operate properly. If table is high in the center, shim up under the outer legs.

CARE AND MAINTENANCE

You have purchased a quality product that will give you years of enjoyment. By following these simple maintenance steps you will add to the life of your new table. The top (playing surface) of your table is of a particle board construction. Like all products made of wood, it can be affected by atmospheric conditions, meaning both temperature and humidity. This may cause a slight sag or distortion as top expands or contracts. This is normal and should not cause concern as it does not detract from the play or utility value of the table. To help minimize this problem, **store table in folded up position in a dry area when not in use.**

STORAGE OF YOUR TABLE

This table must be stored indoors to prevent damage to the playing surface. Dampness and extreme temperature changes can cause the wood to warp, swell, crack, or blister. When your table is not in use, it should be folded up in a dry area.

CLEANING YOUR TABLE

To clean your table use a soft damp **NOT WET** cloth only. To prevent damage to your table's playing surface **DO NOT** use any chemicals, abrasive, or cleaning products on your table's playing surface.

IMPORTANT: Periodically, lubricate all moving parts, including pivot points, to assure smooth opening and closing. A light lubricant such as WD-40 is recommended.



CAUTION!

THE SET-UP OF THIS TABLE REQUIRES TWO OR MORE ADULTS! READ INSTRUCTIONS ALL THE WAY THROUGH BEFORE BEGINNING SET-UP

1. With one adult on each side of table half, carefully lift the first table half out of shipping carton and rest it on its end (the edge with the end rail attached). See Figure 1.

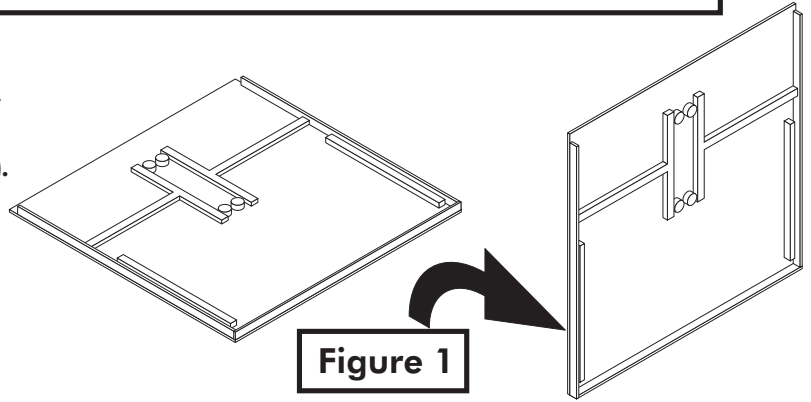


Figure 1

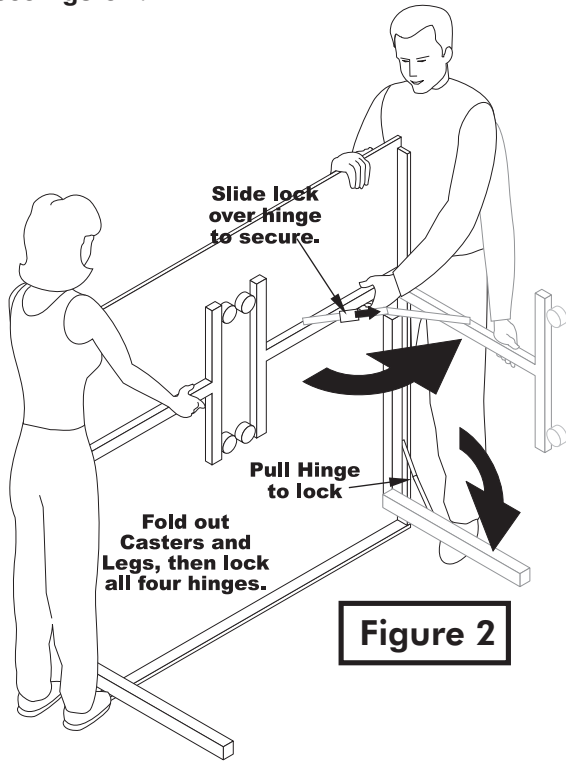


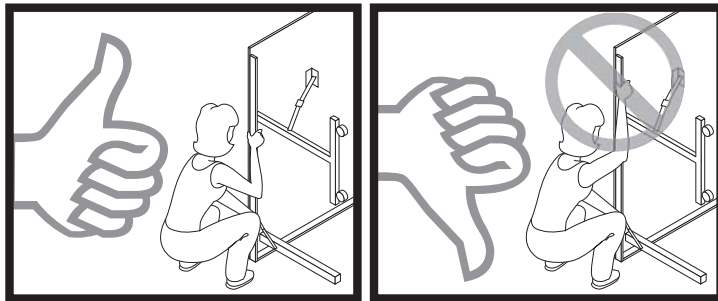
Figure 2

2. Fold out caster legs and slide the lock over the hinge to secure it. Fold corner legs down toward the floor, and pull outward on the hinges to lock them. See Figure 2.



CAUTION!

3. Grasp the table half between the caster legs and the corner legs only! DO NOT GRASP THE TABLE HALF ABOVE THE CASTER LEGS, OR THE CASTER LEGS THEMSELVES! SERIOUS PERSONAL INJURY COULD RESULT! See Figure 3.



CORRECT

INCORRECT

DO NOT GRASP TABLE TOP ABOVE THE CASTER LEGS.

4. Lift table off of the floor completely and set upright. DO NOT PIVOT TABLE UPWARD ON CORNER LEGS. THEY ARE NOT MADE TO WITHSTAND THE WEIGHT OF THE TABLE HALF IN THAT DIRECTION!

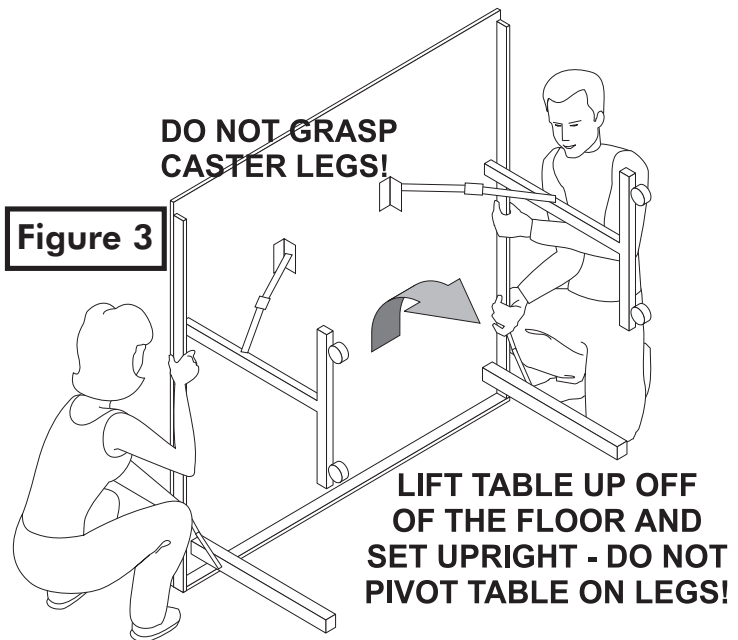


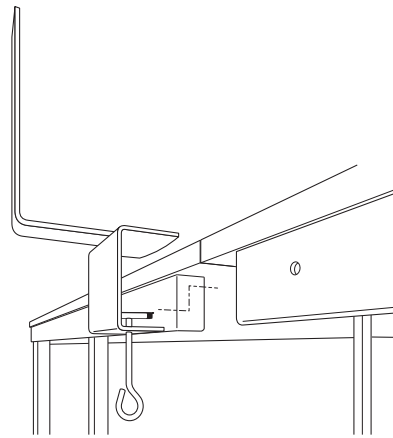
Figure 3

LIFT TABLE UP OFF OF THE FLOOR AND SET UPRIGHT - DO NOT PIVOT TABLE ON LEGS!

Repeat steps 1 through 5 for other table half.

- Secure table halves together with net posts. Slide net down over posts. See Figure 4.

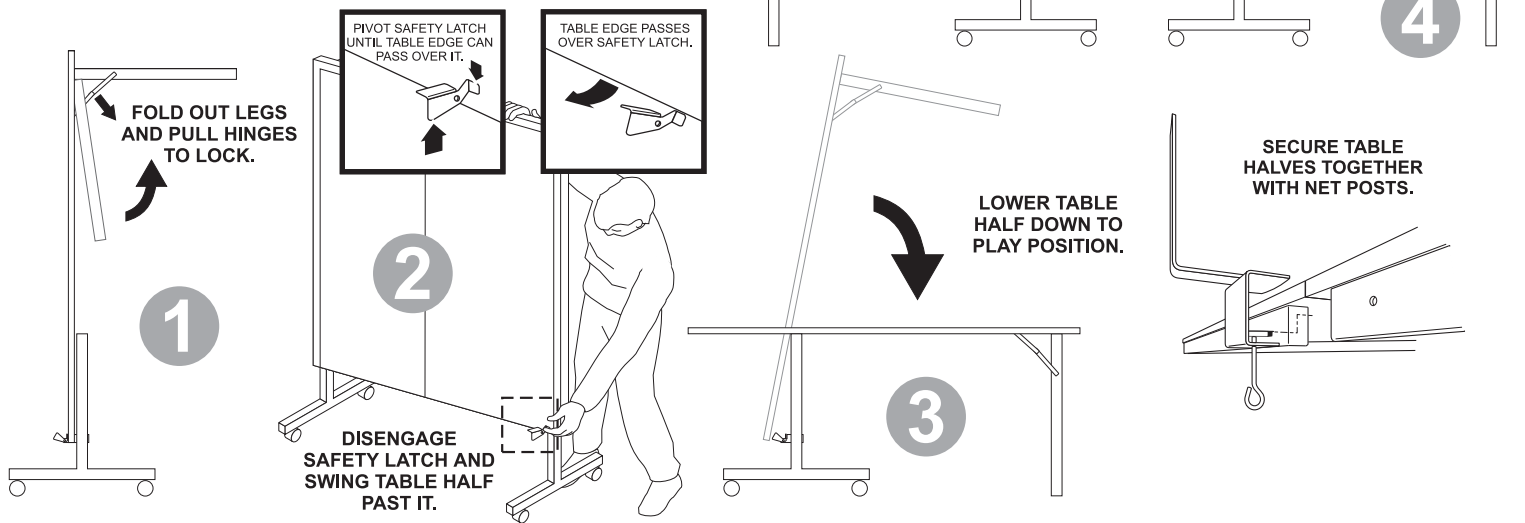
Figure 4



OPENING AND CLOSING INSTRUCTIONS

CAUTION: READ OPERATING INSTRUCTIONS CAREFULLY BEFORE OPERATING TABLE! DO NOT ALLOW CHILDREN TO OPEN TABLE! DO NOT CLIMB, STAND, OR JUMP ON TABLE. SERIOUS OR FATAL INJURY MAY RESULT! THIS IS NOT A TOY! TABLE IS TO BE OPENED OR CLOSED BY ADULTS ONLY! FAILURE TO COMPLY WITH OPENING AND CLOSING INSTRUCTIONS COULD RESULT IN PERSONAL INJURY OR PROPERTY DAMAGE.

TO OPEN:



TO CLOSE:

